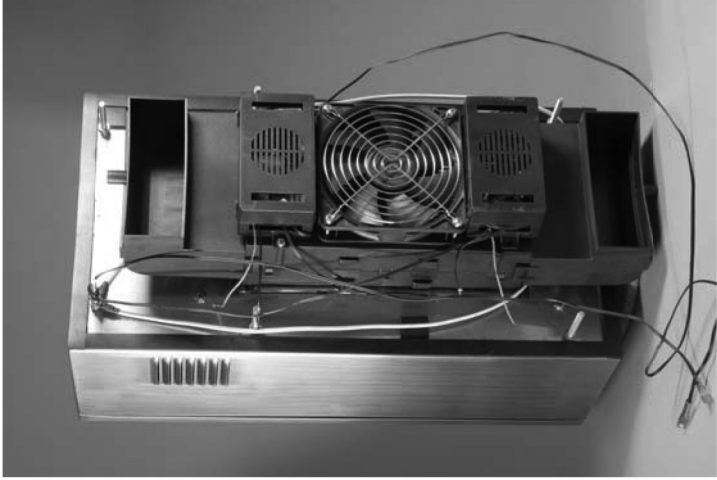


INB720-24-AACH THERMOELECTRIC COOLING/HEATING ASSEMBLY



All INB-series assemblies are environmentally friendly and free from CFC gases.

The INB720-24-AACH is specifically designed for cooling and heating NEMA 4 electronic enclosures up to 3m³. For indoor and outdoor applications.

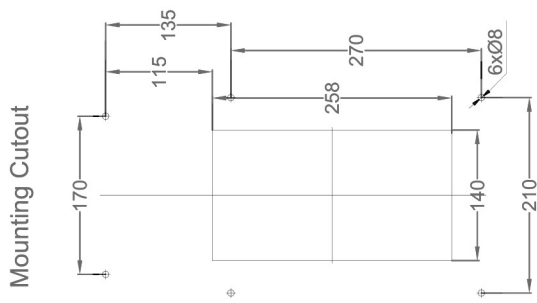
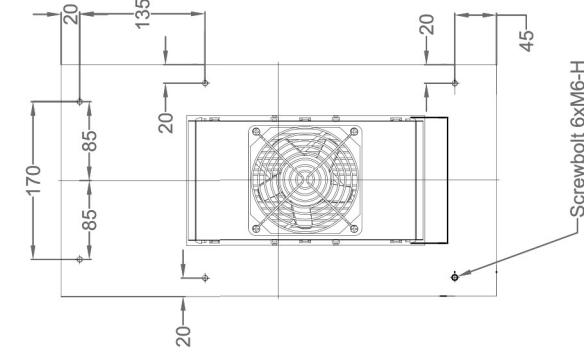
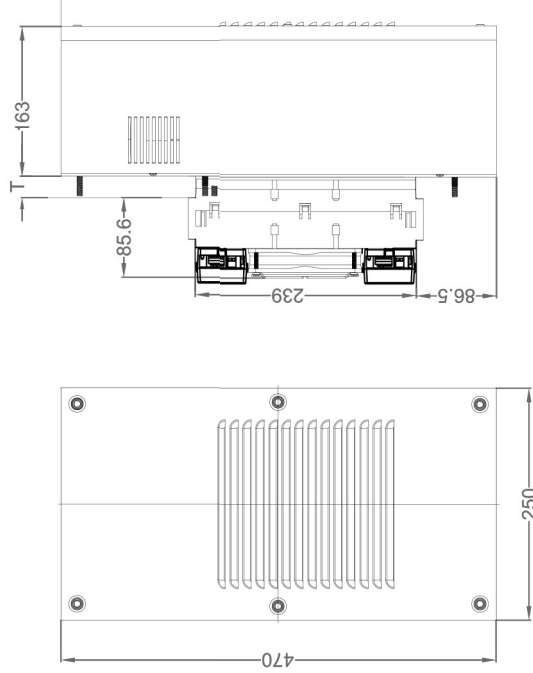
The cooling will start automatically when the temperature inside the enclosure reaches 31°C/88°F and stop at 26°C/79°F.

The heating will start automatically when the temperature inside the enclosure reaches 5°C/41°F and stop at 12°C/54°F.

SPECIFICATIONS

Cooling Capacity	720 BTU/ 220W
Heating Capacity	1000 BTU / 240 W
Input Voltage/Current	24V +/- 0.5VDC / 7.4A +/-10%
Operational Temp	-10°C / 40°C
Weight	29 Lbs / 13 Kg

DIMENSIONAL DRAWINGS



T=20.0,30.0